

- Integrated Coil Structure**
 - More than 50% of PCB Area Savings
 - Minimised Radiated Noise (EMI)
- High Efficiency at 3.0MHz Operation**
 - 93% (at V_{IN}=5.0V, V_{OUT}=3.3V/500mA)
- Enhanced COT Technology**
 - Fast Transient Response
 - Stable Frequency Operation
 - Superior Load Regulation
- High Reliability**
 - Wettable Flanks Package
 - High Thermal Performance



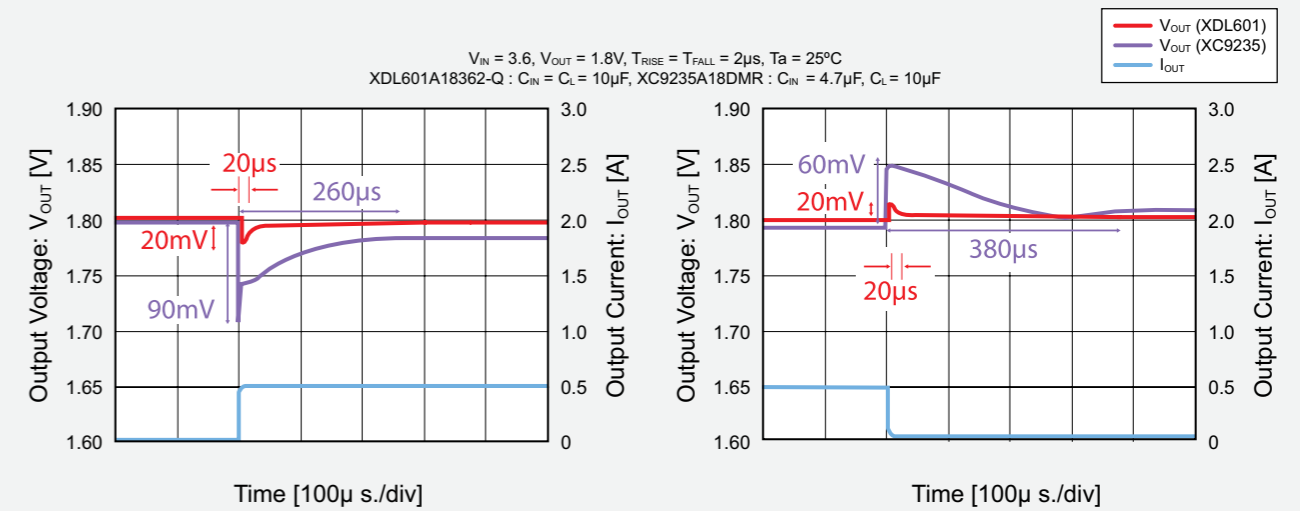
DFN3625-11A

SERIES		XDL601	XDL602
Output Current		1.5A	
ON Resistance	N-Ch	0.10Ω (typ)	
	P-Ch	0.14Ω (typ)	
Input Voltage Range		2.5V ~ 5.5V	
Output Voltage Range		0.8V ~ 3.3V	
Switching Frequency		3.0MHz	
Quiescent Current (typ.)		400μA	25μA
Hi-SAT COT			
Control Method		Fixed PWM Control	PWM/PFM Auto-switching
Max Duty Cycle		100%	
Protection Circuits		Current Limit Circuit, Short Circuit Protection, UVLO (2.0V), Thermal Shutdown	
Additional Features		Integral Soft-start Optional CL Discharge	
Op. Amb. Temperature		-40°C ~ +105°C	
Package		DFN3625-11A (Wettable Flank)	

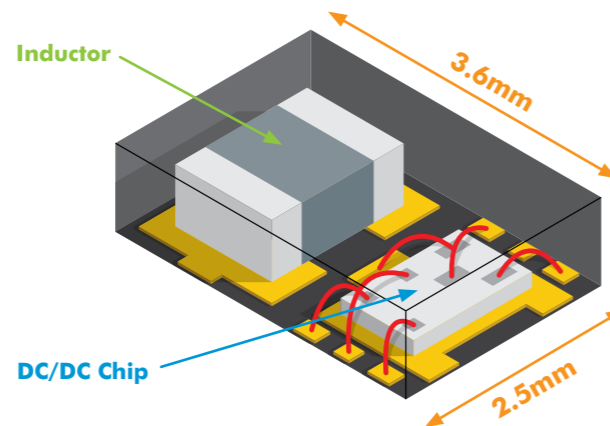
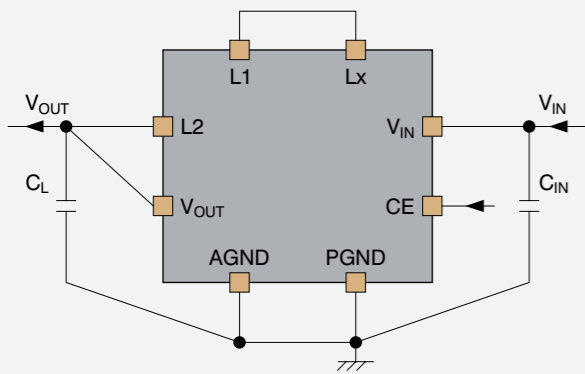
FAST TRANSIENT RESPONSE

Fast transient response without the weaknesses of the conventional COT technology

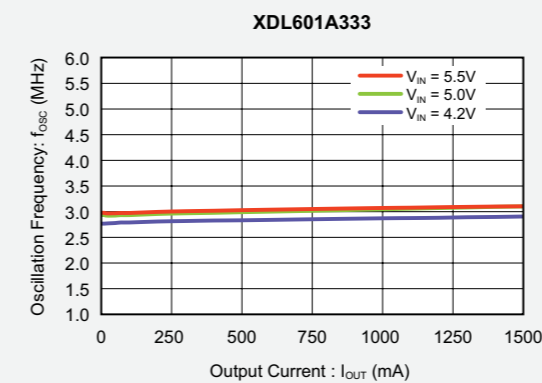
- Stable Oscillation Frequency
- Superior Load Regulation



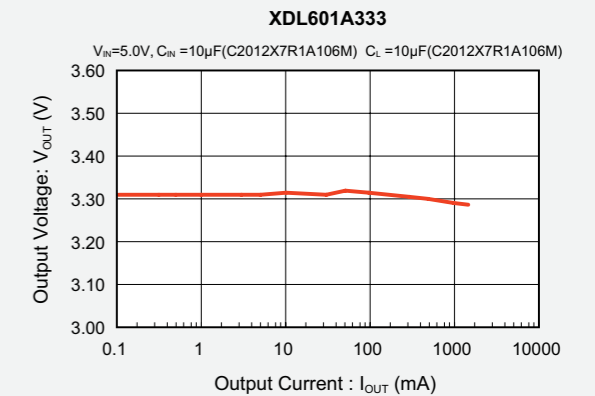
TYPICAL APPLICATION CIRCUIT



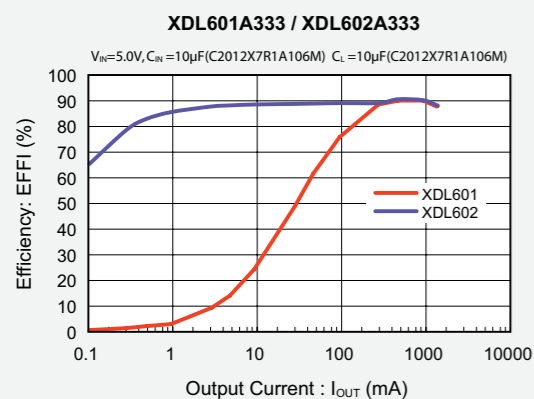
STABLE OSCILLATION FREQUENCY



SUPERIOR LOAD REGULATION



EFFICIENCY VS. OUTPUT CURRENT



OUTPUT RIPPLE VS. OUTPUT CURRENT

