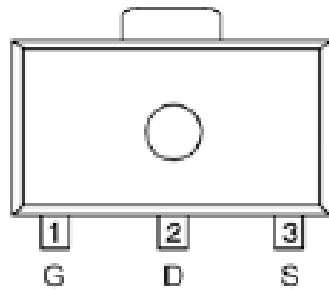
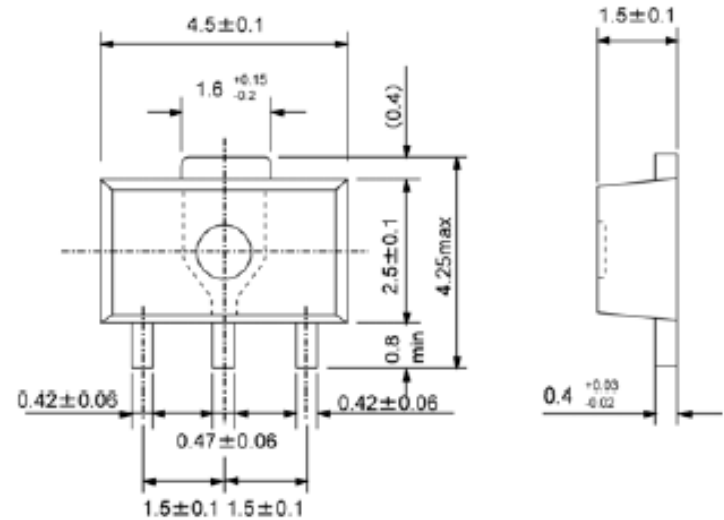


PIN CONFIGURATION

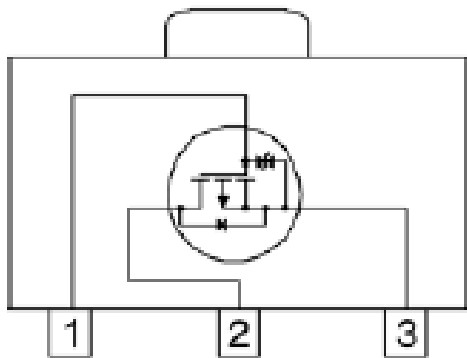


SOT-89
(TOP VIEW)

●SOT-89



EQUIVALENT CIRCUIT



P-channel MOSFET
(1 device built-in)

●SOT-89

