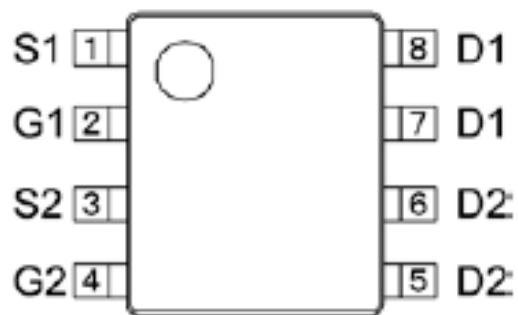
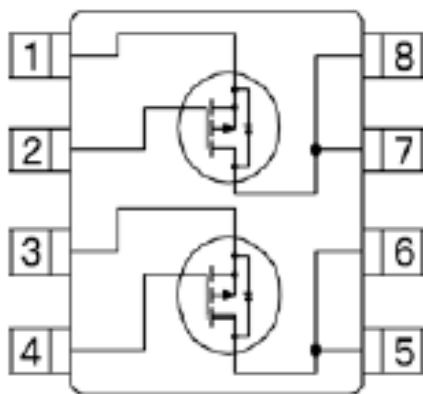


PIN CONFIGURATION



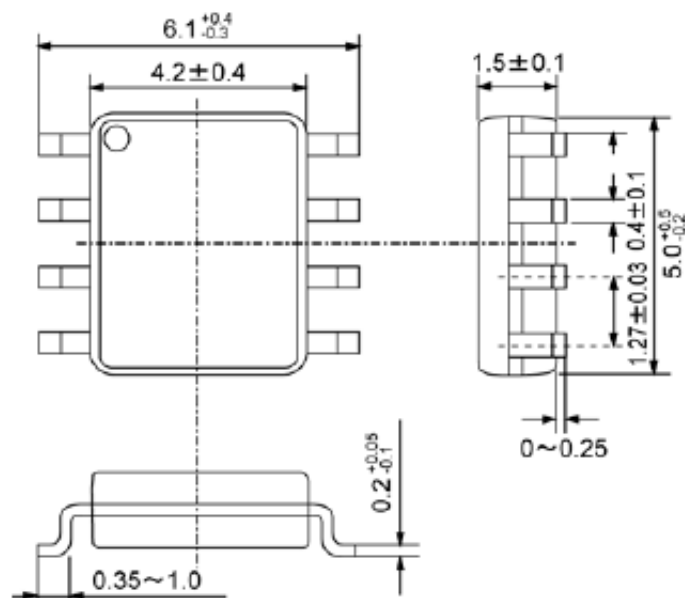
SOP-8
(TOP VIEW)

EQUIVALENT CIRCUIT



P-channel MOSFET
(2 devices built-in)

● SOP-8



● SOP-8

