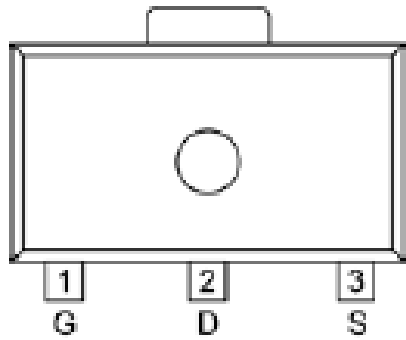
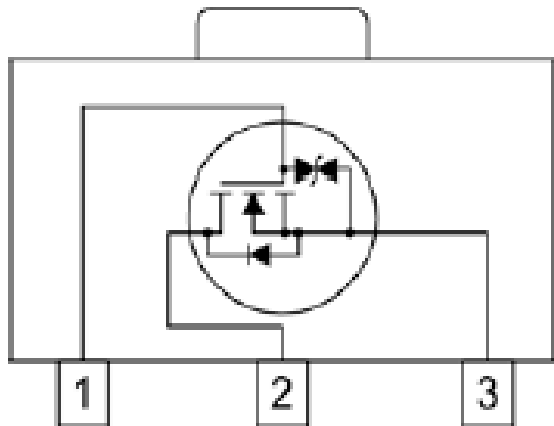


PIN CONFIGURATION



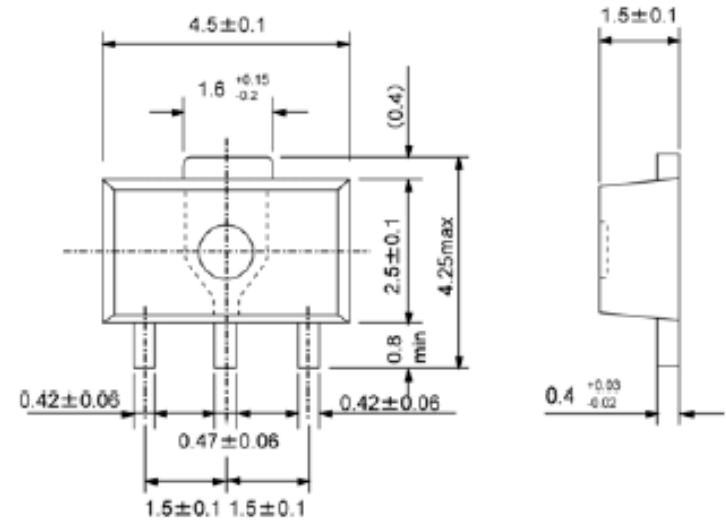
SOT-89
(TOP VIEW)

EQUIVALENT CIRCUIT



N-channel MOSFET
(1 device built-in)

●SOT-89



●SOT-89

