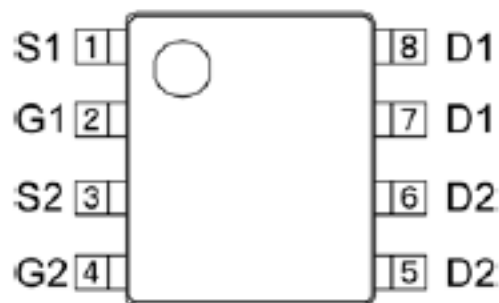
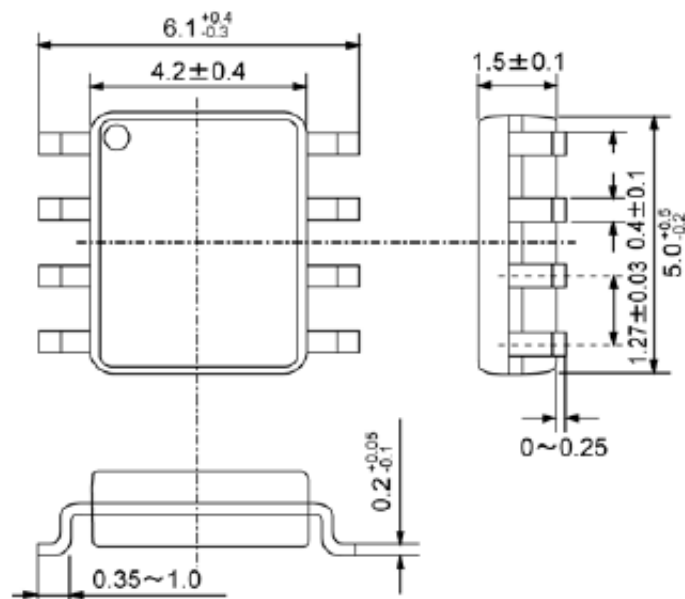


■ PIN CONFIGURATION

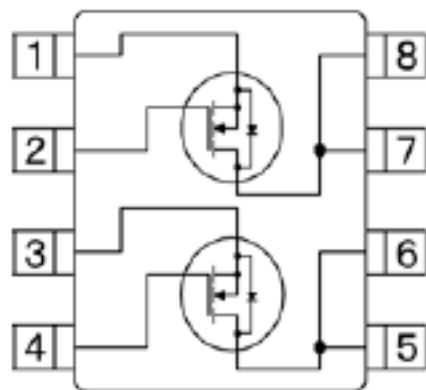


SOP-8
(TOP VIEW)

● SOP-8



■ EQUIVALENT CIRCUIT



N-channel MOSFET
(2 devices built-in)

● SOP-8

