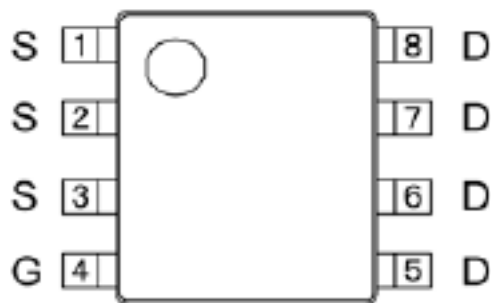
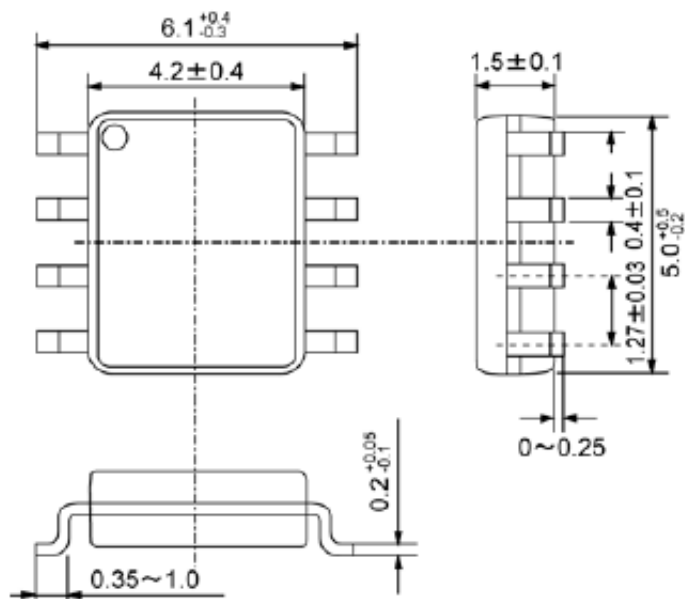


# ■ PIN CONFIGURATION

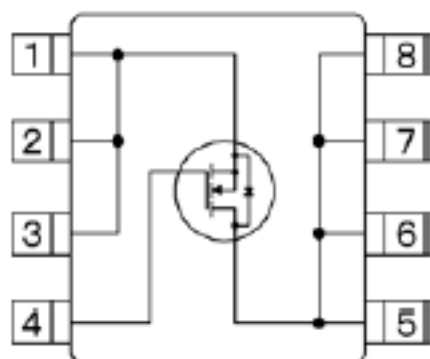


SOP-8  
(TOP VIEW)

# ● SOP-8



# ■ EQUIVALENT CIRCUIT



N-channel MOSFET  
(1 device built-in)

# ● SOP-8

