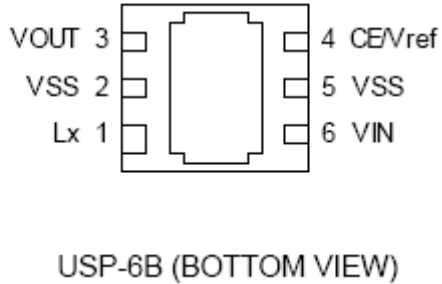
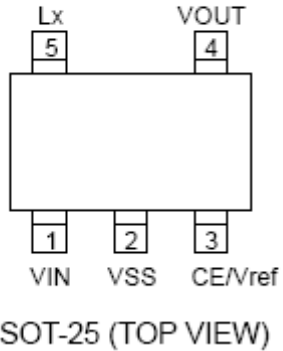
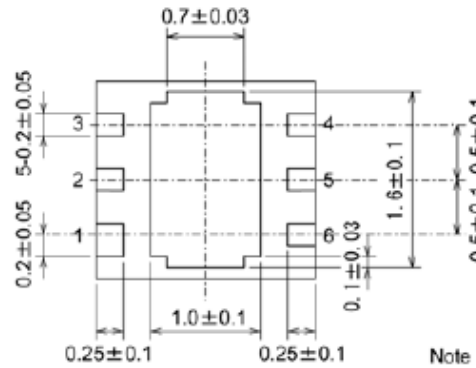
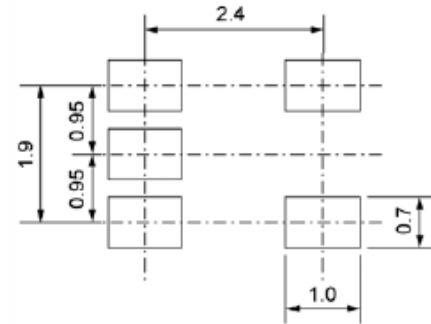
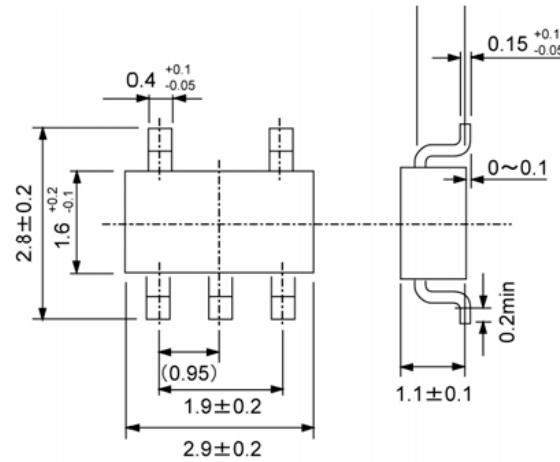


# PIN CONFIGURATION

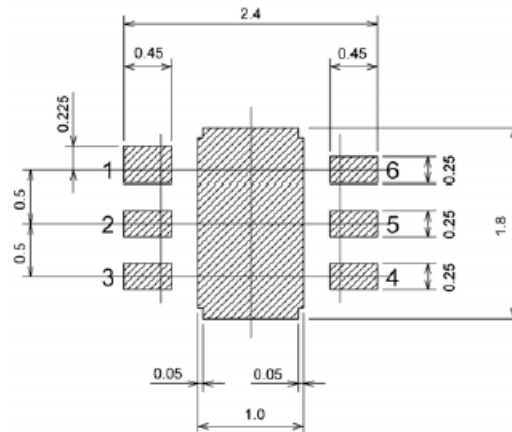


\* Please short the VSS pin (pin no. 2 and 5) before use. Please use the circuit without connecting to the heat dissipation pad. If the pad must be connected due to a problem of heat dissipation or mounting intensity, connect to the VSS pin (pin no. 5).

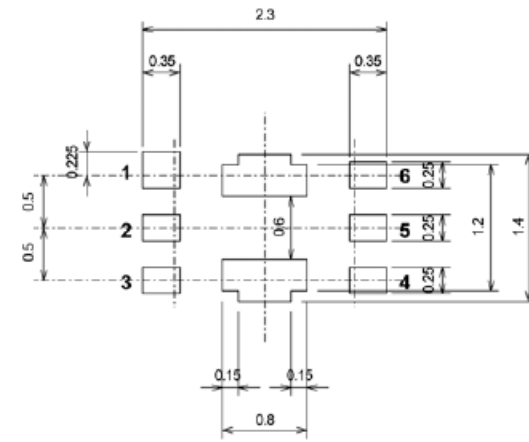


Note : Pin 1 is larger than the other pins.

## ● USB-6B



Note: Recommended metal design



## ● USP-6B

