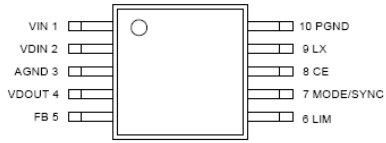
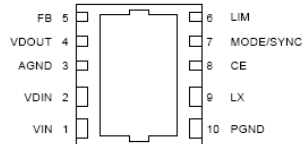


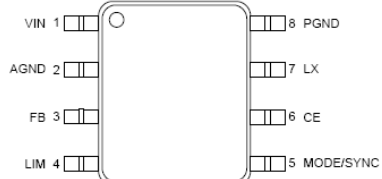
PIN CONFIGURATION



MSOP-10
(TOP VIEW)



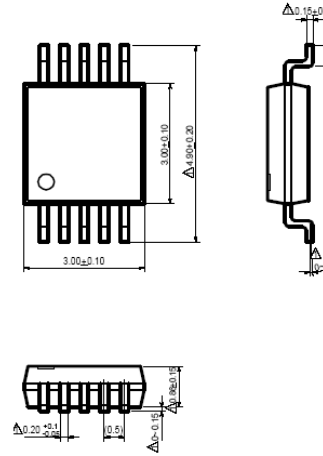
USP-10B
(BOTTOM VIEW)



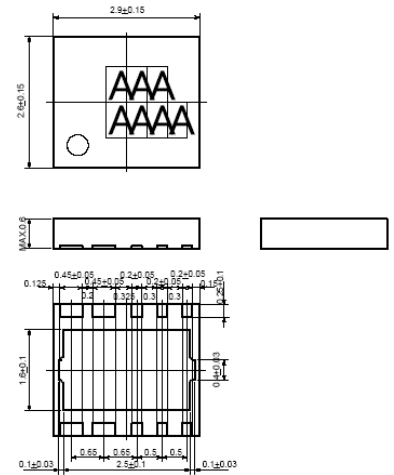
SOP-8
(TOP VIEW)
(Preliminary)

PACKAGE INFORMATION

MSOP-10

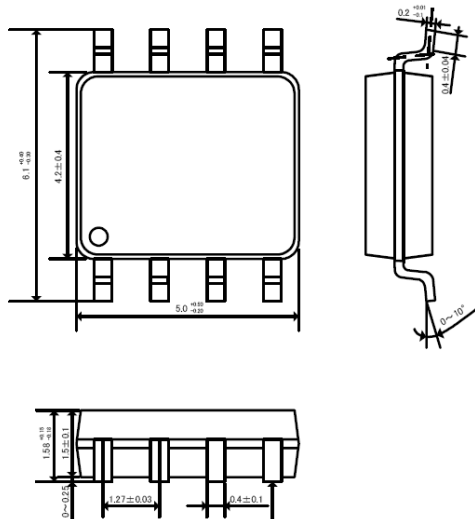


USP-10B

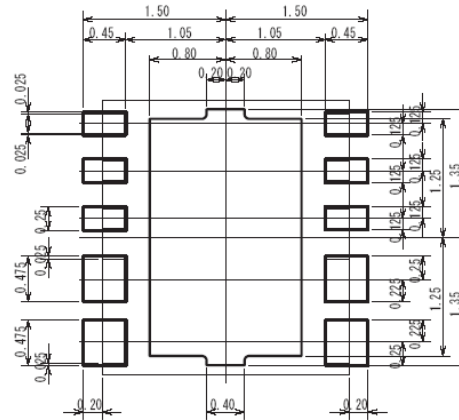


PACKAGE INFORMATION

SOP-8 (Preliminary)



USP-10B Recommended Pattern Layout



USP-10B Recommended Metal Mask Design

