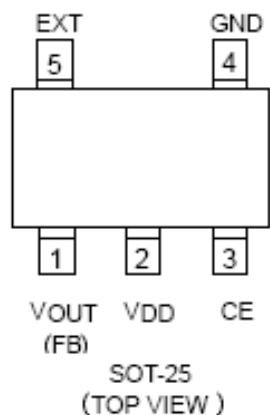


PIN CONFIGURATION

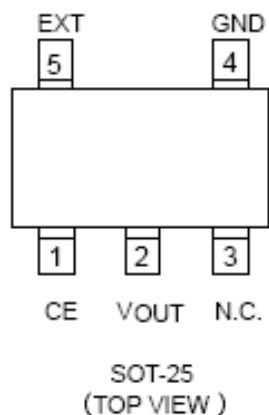
XC6367/XC6368 series

A, B, C, D types

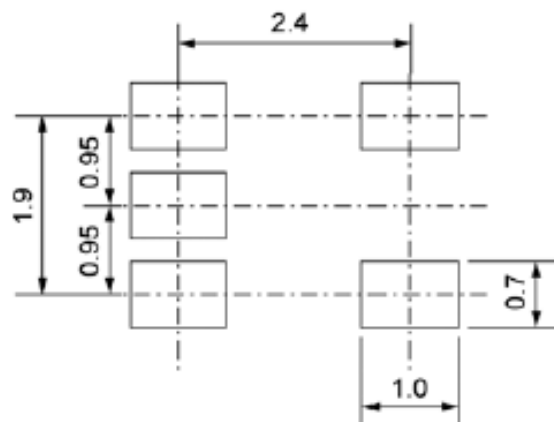


XC6367/XC6368 series

E, F types



● SOT-25



● SOT-25

