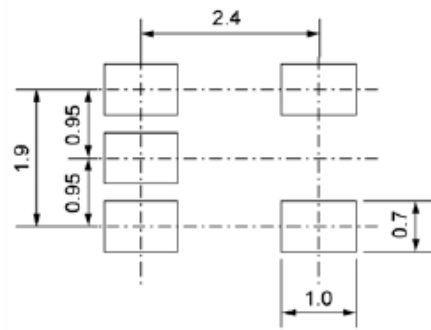
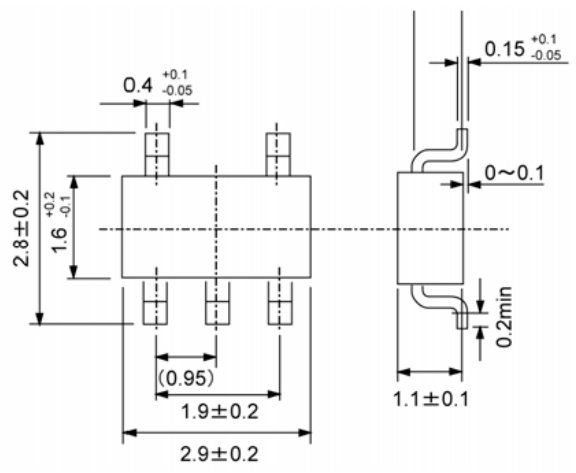
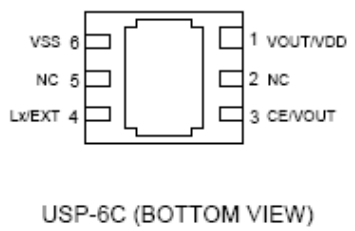
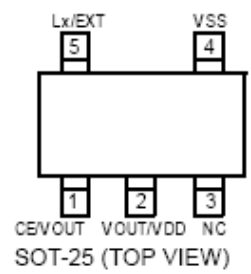


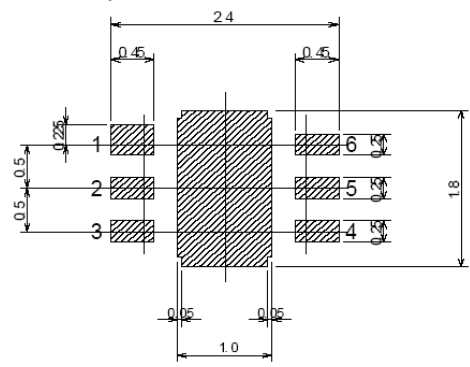
PIN CONFIGURATION



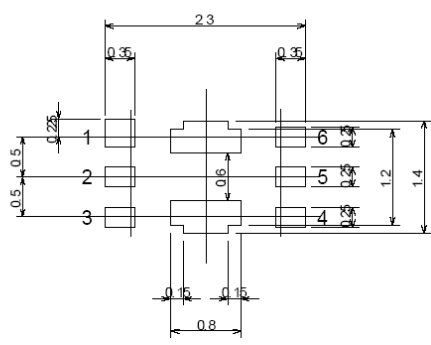
PIN ASSIGNMENT

PIN NUMBER								PIN NAME	FUNCTIONS
SOT-25				USP-6C					
C	D	E	F	C	D	E	F		
-	-	2	2	-	-	1	1	VDD	Internal Power Supply
4	4	4	4	6	6	6	6	VSS	Ground
-	5	-	5	-	4	-	4	EXT	External switching transistor drive <Connect to the gate pin of N-ch Power MOSFET>
5	-	5	-	4	-	4	-	Lx	Switch
1	1	-	-	3	3	-	-	CE	Chip Enable <Connect to the VOUT pin when Active and the VSS pin when stand-by>
2	2	1	1	1	1	3	3	VOUT	Output voltage monitor
3	3	3	3	2.5	2.5	2.5	2.5	NC	No connection

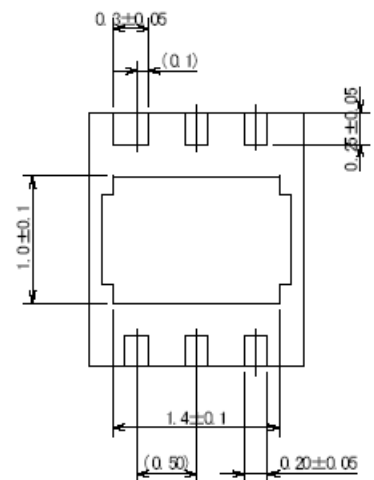
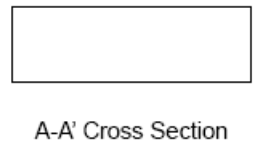
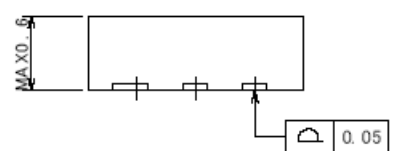
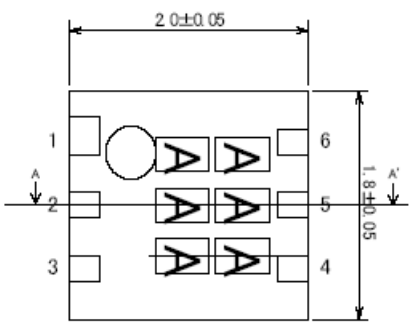
Recommended Pattern Layout



Recommended Metal Mask Design



● USP-6C



● External Lead Plating : Au min 0.3μm

* Soldering fillet surface is not formed because the sides of the pins are not plated.