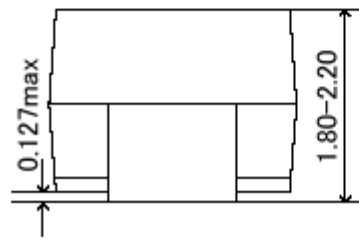
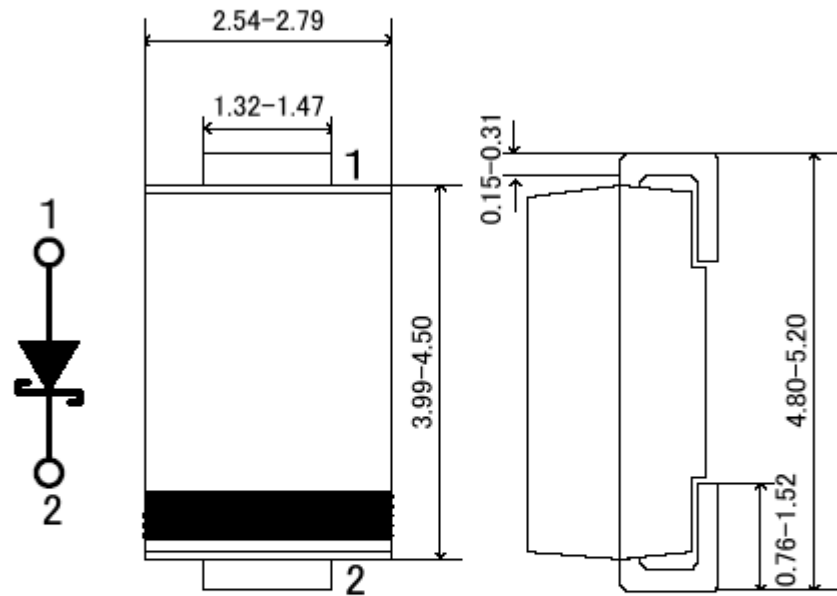


■ PACKAGING INFORMATION



SMA

- 1: Anode
- 2: Cathode

Unit: mm